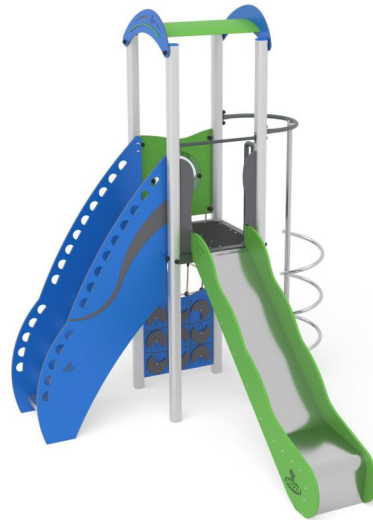


+AE100P.PS-14\_ALU

## ALBICOCCA CON SPIRALE E PALESTRA - EASY



Dimensions	Safety area	Impact area	Falling height HIC	Physical footprint	Number of users
7,8 x 5,7 cm	23.5 mq	140 cm	4,3 x 2,7 x 3,3 cm	8	

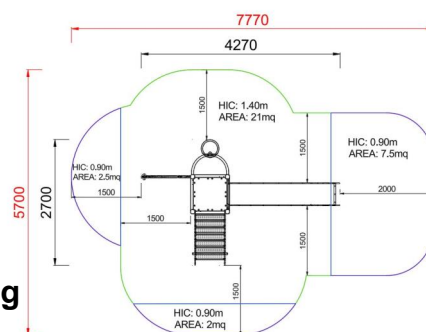
### Characteristics

#### Age range

3-12

#### Materials

#### Plan



Area di sicurezza totale / Total safety area: 32.5mq  
Altezza Max di Caduta / Max falling height: 1.40m

#### Picture



#### Manufacturer

Pozza 1865 S.R.L.

#### Country of manufacturing

ITALY



## Components list



### **xABACOGT-01\_E\_ALU - NG OXO Panel Easy**

NR 1 Two colored polyethylene panel with serigraphy XOX symbols, 9 half-moon rolling panels, Inox steel bolts.



### **xSVPX-14\_E\_ALU - NG Straight slide h140 cm Easy**

NR 1 Easy slide with lateral sides made of polyethylene and stainless steel slide certified according to the existing rules; starting platform height 140 cm; provided with a transversal bar.



### **xP-2\_E\_ALU - NG Protection lateral panels with polycarbonate portholes Easy**

NR 1 Made of polyethylene, with polycarbonate portholes, provided with stainless steel brackets for fixing them to the tower.



### **xPAL-01C\_ALU - NG Net gym**

NR 1 Vertical net with frame made of painted steel supporting a climbing net made of steel rope with nylon cover



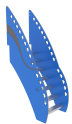
### **xPS-14\_E\_ALU - NG Spiral perch h 140 cm Easy**

NR 1 Composed by stainless steel tubular, support bracket and locking handles in painted steel



### **xQT4-14\_E\_ALU - NG Square tower h140 cm Easy**

NR 1 Composed by 4 posts having a 9 x 9 cm section by aluminium, 1 square platform placed at a height of 140 cm. Coloured polyethylene gable roof.



### **xS-14\_E\_ALU - NG Climbing ladder h140 cm Easy**

NR 1 made of aluminium, complete with handrails and protective panels made of polyethylene.