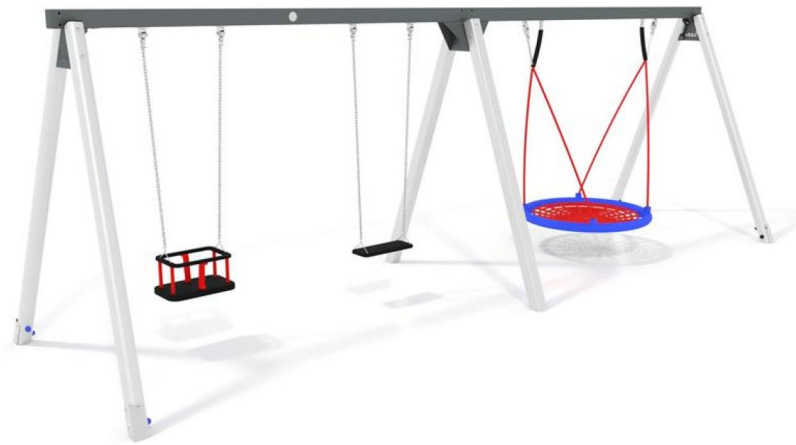


+B0400.B0300.110_ALU
4-SEATER MIXED SWING 2



Dimensions		Safety area		Impact area		Falling height HIC		Physical footprint		Number of users
		750 x 618 cm		39 mq		117 cm		605,5 x 195 x 215 cm		6

Characteristics



anodised aluminium

5 anni
GARANZIA

Age range

3-12

Materials

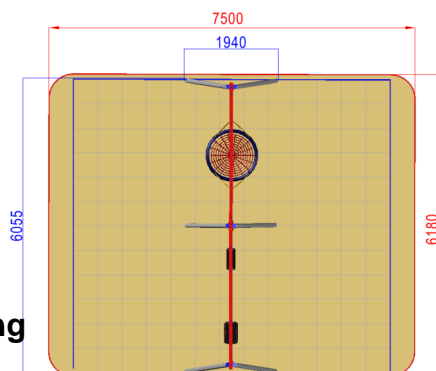


anodised aluminium

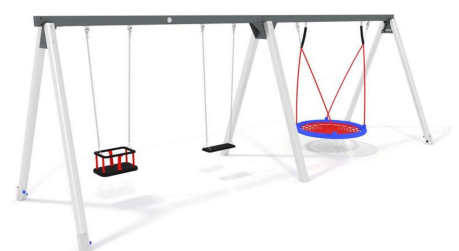
Made of EN EV6060 anodized aluminium 9x9cm custom mold with rounded edges, minimum thickness 2,7mm



Plan



Picture



Manufacturer

Pozza 1865 S.R.L.

Country of manufacturing

ITALY



AREA DI SICUREZZA/SAFETY AREA: 7500x6180(mm)
 AREA D'IMPATTO/IMPACT AREA: 39mq
 ALTEZZA MASSIMA DI CADUTA/MAX FALLING HEIGHT: 1170(mm)



ALTEZZA DI CADUTA/
 FALLING HEIGHT:
 1170